



OIL BURNER NOZZLES

Oil burner nozzles are available in fullcone & hollowcone spray pattern. Micro-finish of Tip & Disc seats permitting flow only through the slots of the disc, plus extremely close manufacturing tolerances, ensure accurate capacity control.

These nozzles are accomplished with filter in order to provide highly efficient in depth filtration with one piece construction extra fine filter microns are supplied as standard on all small capacity nozzles.

Applications :

❖ LDO firing in kilns of cement, sponge, Iron plants & Dust suppression.

Range :

Spray Angle

: 45°, 60°, 80°

Flow rate (GPH) at
5 to 7 bar Pressure

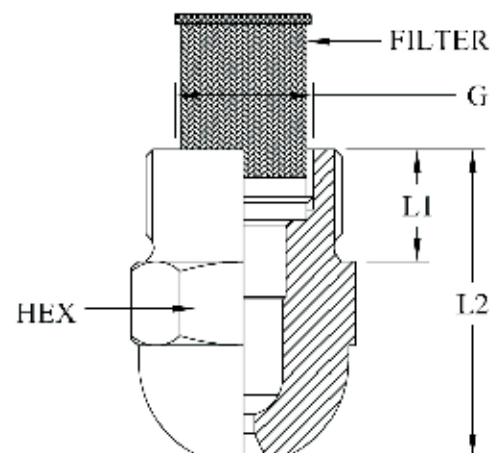
: 0.75, 1.5, 1.75, 2, 2.5, 3, 3.5, 4, 5, 6.5,
10.5, 12.5, 15.5, 19.5, 24, 30, 40, 50,
55, 60, 70, 80, 100 GPH.

Connection
M.O.C.

: UNF 9/16"

: SS 303

G	L1	L2	HEX
9/16	7 mm	20.5 mm	16 mm
With Filter	7 mm	32 mm	16 mm



Spraytech[®]
MFG. INDUSTRIAL SPRAY NOZZLES & SYSTEMS

Spraytech House, Plot A-132, Road No. 23, Near Spraytech Circle,
Wagle Indl. Estate, Thane (W)-400 604. Mumbai-Maharashtra, (India).
Tel.: 91-022-2582 8929 / 2582 2735 - 36- 91, Fax.: 91-022-2581 2861.

Website : www.spraytechindia.com E-mail- sales1@spraytechindia.com / sales@spraytechindia.com